



# TSp Product Spec Sheet

THOR SYSTEMS, INC.  
3621 Saunders Avenue  
Richmond, VA 23227-4354  
Ph 804.355.1100 ♦ Fax 804.355.8900

## AC PANELBOARD TSp

50, 100, 150kA Per Mode

## PANEL w/SURGE PROTECTION

THOR SYSTEMS' TSp combines a UL67 Listed panelboard with an Integral UL 1449 4<sup>th</sup> Edition Listed Surge Protective Device (SPD). The SPD is self-contained from the critical bus structure by adding only 9" of height to the panelboard through the use of a panelboard accessory box. Utilizing 1000APSI copper bus bars and a 200% rated Neutral Bus for Non-Linear Loads, the TSp Series is available with any 20"W x 5-3/4"D panelboard; can be constructed for top or bottom feed and surface or flush mount applications.

### GENERAL INFORMATION

Agency Listings **UL67 (Panelboard)**  
**UL1449 4<sup>th</sup> Edition, UL1283**

Application **Industrial Panelboard**

Warranty **5 Years**

### PANELBOARD INFORMATION

Manufacturer **GE, SQ-D, C-H, Siemens**

Input **Main Lug or Main Breaker**

Ampacity **60A – 400A**

Circuits **27 or 39 Available Spaces**

Voltage **120/240 Split Phase**  
**120/208 3 Phase WYE**  
**277/480 3 Phase WYE**

Size **20"W x 5-3/4"D (See chart below for height dimensions)**

Neutral Bus **200% Rated for Non-Linear Loads**

Bus Bars **1000APSI, Tin-plated Copper**

### SPD/TVSS INFORMATION

kA Per Mode **50, 100, or 150kA**

Protection Modes **All Modes**

MCOV **150V, 320V, or 550V**

PCB "TILE" Design **Up to 4 oz. Parallel Copper Traces (Top & Bottom), Double-Sided**

Response Time **<1 nanosecond**

Component Technology **TSpi: Hybrid 3-Tier (TpMOV, SAD, Capacitor)**

**TSpC: Hybrid 2-Tier (TpMOV, Capacitor)**

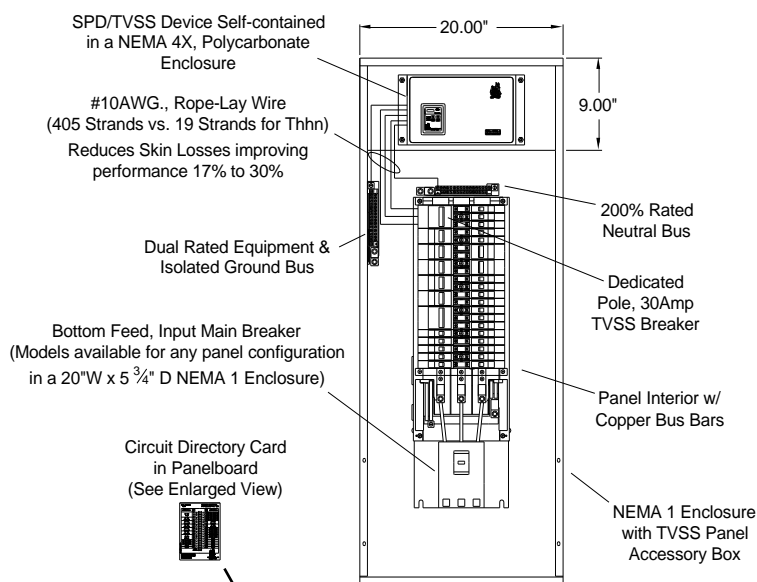
AIC/SCCR **100kAIC**

Enclosure **Self-contained NEMA 4X Polycarbonate**

Connection **Parallel Connected via 3-Pole, 30A Circuit Breaker in Panelboard**

Monitoring **Std: Green LED (OK) and Red LED (Fault)**

### Panelboard Series TSp (Main Breaker, Bottom Feed)



### Circuit Directory Card (Enlarged View)

| PANEL DESIGNATOR |         | CIRCUIT DIRECTORY  |                |
|------------------|---------|--------------------|----------------|
| MDP1             |         | PANELBOARD No. 269 |                |
| DESCRIPTION      | CKT No. | CKT No.            | DESCRIPTION    |
| 3P 30A TVSS      | 1       | 2                  | 1P 20A LGHT #1 |
|                  | 3       | 4                  | 1P 20A LGHT #2 |
|                  | 5       | 6                  | 1P 20A LGHT #3 |
| 2P 50A Pump #1   | 7       | 8                  | 1P 20A LGHT #4 |
| 2P 50A Pump #2   | 9       | 10                 | 1P 20A LGHT #5 |
| 2P 50A Pump #3   | 11      | 12                 | 2P 30A Tank #1 |
| 2P 50A Pump #4   | 13      | 14                 | 2P 30A Tank #2 |
| 2P 50A Pump #5   | 15      | 16                 | 2P 30A Tank #3 |
| 2P 50A Pump #6   | 17      | 18                 | 2P 30A Tank #4 |
| 2P 50A Pump #7   | 19      | 20                 | 1P 20A SRPD    |
| 2P 50A Pump #8   | 21      | 22                 | 1P 20A SRPD    |
| 2P 50A Pump #9   | 23      | 24                 | 1P 20A SRPD    |
| 2P 50A Pump #10  | 25      | 26                 | 1P 20A SRPD    |
| 2P 50A Pump #11  | 27      | 28                 | 1P 20A SRPD    |
| 3P 60A SDP #1    | 29      | 30                 | 1P 20A SRPD    |
| 1P 20A Recept    | 31      | 32                 | Spare          |
| 1P 20A Recept    | 33      | 34                 | Spare          |
| 1P 20A Recept    | 35      | 36                 | Spare          |
| 1P 20A Recept    | 37      | 38                 | Spare          |
| Spare            | 39      | 40                 | Spare          |
| Spare            | 41      | 42                 | Spare          |

NEUTRAL A B C

for ADDITIONAL INFORMATION  
Call Toll Free 877-338-1100  
Fax Toll Free 804-355-8900  
www.ThorSystems.us  
info@ThorSystems.us

THOR SYSTEMS, INC.  
Richmond, VA 23227

### PANEL HEIGHT DIMENSIONS

(Consult Factory for other Panel Mfrs)

| MFG  | TYPE         | CIRCUITS | AMPACITY |               |               |
|------|--------------|----------|----------|---------------|---------------|
|      |              |          | ≤100 AMP | 125 - 225 AMP | 250 - 400 AMP |
| SQ-D | Main Lug     | 30       | 38"      | N/A           | N/A           |
|      | Main Lug     | 42       | N/A      | 47"           | 62"           |
|      | Main Breaker | 30       | 41"      | N/A           | N/A           |
|      | Main Breaker | 42       | N/A      | 59"           | 77"           |
| GE   | Main Lug     | 30       | 40-1/2"  | 46-1/2"       | 58-1/2"       |
|      | Main Lug     | 42       | 46-1/2"  | 52-1/2"       | 64-1/2"       |
|      | Main Breaker | 30       | 40-1/2"  | 46-1/2"       | 64-1/2"       |
|      | Main Breaker | 42       | 46-1/2"  | 52-1/2"       | 73-1/2"       |



# TSp Product Spec Sheet

THOR SYSTEMS, INC.  
3621 Saunders Avenue  
Richmond, VA 23227-4354  
Ph 804.355.1100 ♦ Fax 804.355.8900

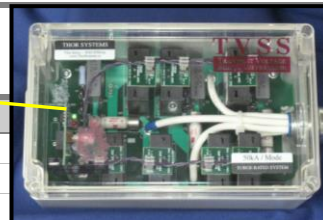
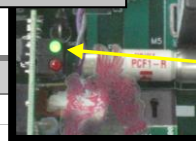
## TYPE 1 MONITORING SERIES Vertical PCB

### DISPLAY FEATURES

Green LED indicates all suppression elements are good

Red LED indicates loss of any protection mode

Enlarged View of LEDs



## TYPE 2 MONITORING SERIES TSm270a

### DISPLAY & OVERLAY FEATURES

Overlay has 4 membrane-style switches providing protection against outside contaminants and clear window for the bright, clear LED Counter

Overlay has 4 LED windows:

- Yellow **ACTIVE SURGE** LED (upper right corner) indicates an active surge event mode
- Green **STATUS** LED indicates power is supplied to the device
- Red **ALARM** LED indicates loss of a protection mode
- Yellow **ENABLE** LED indicates Audible Alarm is enabled

Power **On** button turns the display "ON" and "OFF"

Audible Alarm (horn) sounds in the event of a protection mode loss.

Silence (**Ack**) button on the overlay silences the alarm.

Yellow **Enable** button enables/disables the Audible Alarm (illuminated = enabled)



### SURGE COUNTER

Smart alphanumeric display (4-digit, 5x7 dot matrix) indicates total surge events:

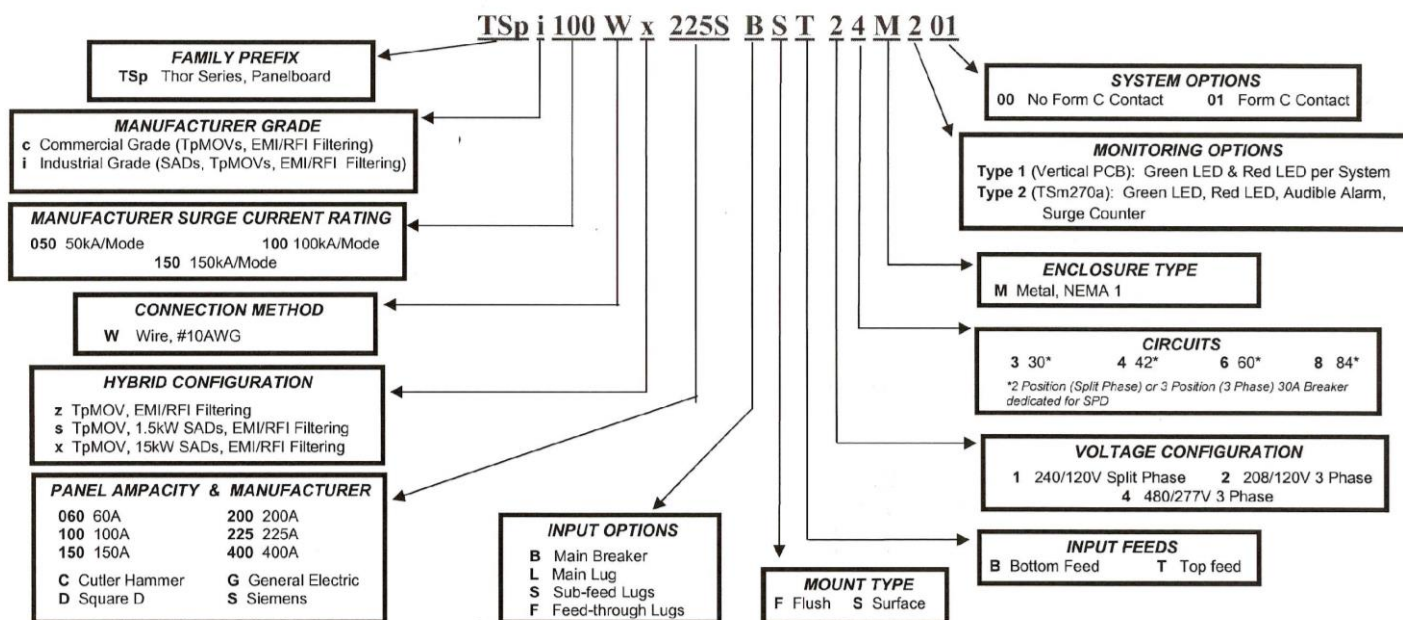
- Displays up to 27,000 events
- Stores event level in an EE PROM to ensure the event total is not lost if a power outage occurs
- If there is a protection mode loss, display will alternate between the count total and an "ALRM" display

Surge Counter has 8 levels of sensitivity, allowing adjustment of the Counter trigger level by the end user

Sensitivity **Level #3** is calibrated to increment using a combination (1.2µs x 50µs Voltage and 8µs x 20µs Current) waveform. This sensitivity level is the standard setting based on a nominal 500A current impulse.

Adjustment of each Sensitivity Level results in an approximate 80A increment from the previous setting (340A to 900A range).

## SERIES TSp MODEL NO. NOMENCLATURE



THOR SYSTEMS continuously strives to improve its products. Occasionally there may be changes in features or optional equipment. All information contained in this printed material is based on the latest product information available at the time of printing. THOR SYSTEMS reserves the right to implement changes, without notice, in specifications and equipment services.